



EMULATION TECHNOLOGY, INC.

Specification Number: M4226

PROGRAMMING ADAPTER SPECIFICATION

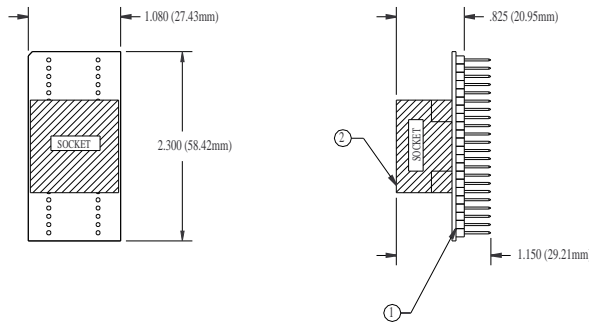
Item: 484401BG0616YAM

Description: AS-48-44-01-4BG061-6YAM

REPLACEMENT SOCKET: S-BGA-00-040-A

Call Emulation Technology for a replacement socket price and delivery quote.

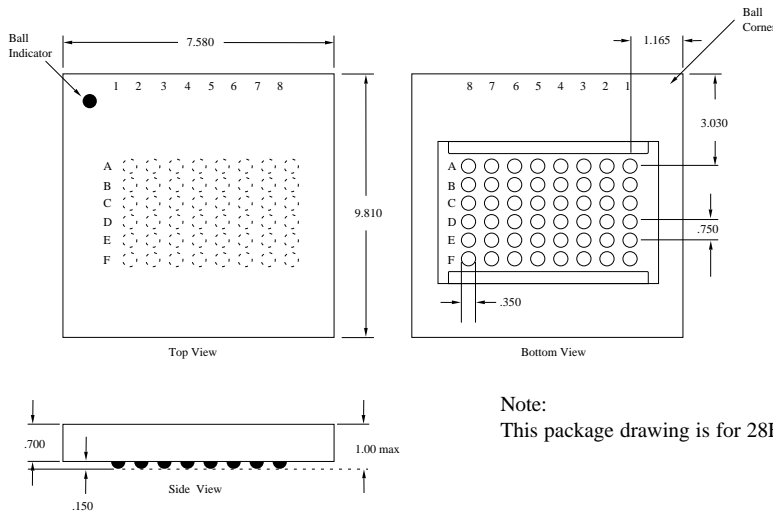
TYPICAL DIMENSIONS:



All Dimensions in Inches.

(Assembly Drawing: F4226)

PACKAGE SPECIFICATIONS:



Note:
This package drawing is for 28F160

All Dimensions in Millimeters.

Notes:

1. μ BGA A5 (WP#) and F5 (V_{CC}) are tied to power plane 3. μ BGA E1 (V_{CCQ}) is tied to power plane 4. DIP 42 (V_{CC}/V_{CCQ}) is tied to power planes 3 & 4.
2. μ BGA E8 (GND) and DIP 13 (GND) are tied to GND plane 2. μ BGA F1 (GND_Q) and DIP 32 (GND_Q) are tied to GND plane 5.

CONNECTION TABLE:

48-Ball μ BGA TM SOCKET	PIN Names	44-Pin DIP Base
B4	RP#	1
D7	CE#	2
A4	V _{PP}	3
B3	WE#	4
E2	DQ15	5
D2	DQ14	6
F3	DQ13	7
E4	DQ12	8
D4	DQ11	9
F6	DQ10	10
E6	DQ9	11
D6	DQ8	12
E8(L2)	GND ²	13(L2)
F2	DQ7	14
E3	DQ6	15
D3	DQ5	16
F4	DQ4	17
E5	DQ3	18
D5	DQ2	19
F7	DQ1	20
E7	DQ0	21
F8	OE#	22
D8	A0	23
C8	A1	24
B8	A2	25
C7	A3	26
A8	A4	27
B7	A5	28
C6	A6	29
A7	A7	30
A3	A8	31
F1(L5)	GND _Q ²	32(L5)
C3	A9	33
B2	A10	34
A2	A11	35
C2	A12	36
A1	A13	37
B1	A14	38
C1	A15	39
D1	A16	40
B6	A17	41
F5/E1(L3/4)	V _{CC} /V _{CCQ} ¹	42(L3/4)
A6	A19	43
B5	A18	44

Compatible Ball μ BGA devices: GT28F160B3 GT28F800B3 GT28F400B3
Manufacturers: Intel



EMULATION TECHNOLOGY, INC.

2344 WALSH AVENUE • BUILDING F
SANTA CLARA, CA 95051-1301

TEL 408 / 982.0660 • FAX 408 / 982.0664